

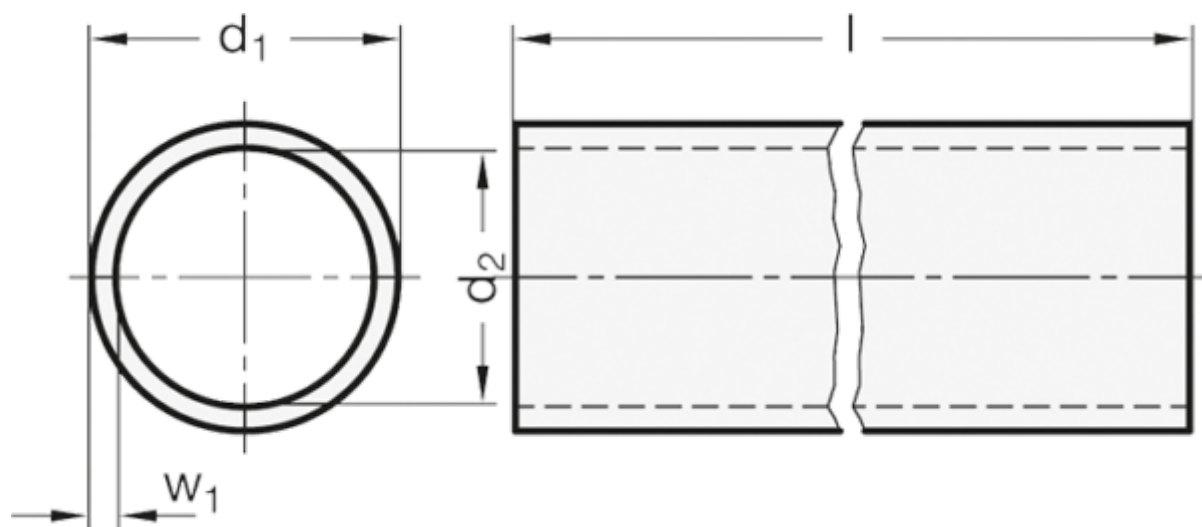
Data Sheet



Article number: 20990ALD30200EL

Description: E+G GN 990 Construction tube round
GN 990-AL-D30-200-EL

Measures



d_1 = D30 \pm 0.15

d_2 = 26

$l \pm 0.5$ = 200

w_1 = 2

Weight in (g) = 91